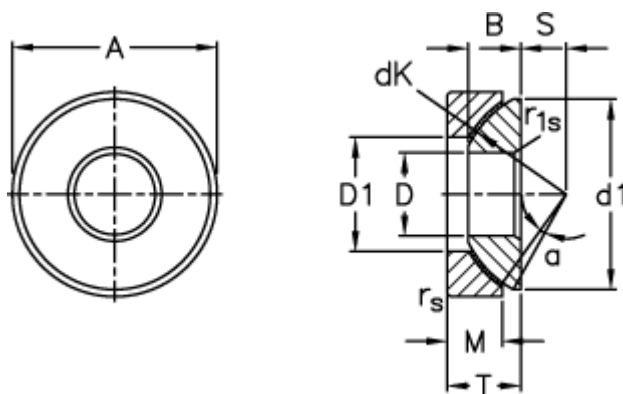


Article number: 03512010

Description: Fluro Rod end GE 10AW

Measures



A	= 30 0 -0,009	rs, r1s min	= 0.6
B	= 7.5	S	= 7
D	= 10 0 -0,008	Static axial load C0 (kN)	= 98
d1 max	= 27.5	T	= 9,5 +0,25 -0,40
D1 min	= 15.5	Tilt angle	= 5
dK	= 32	Weight	= 36
Dynamic axial load C (kN)	= 49		
M	= 7		